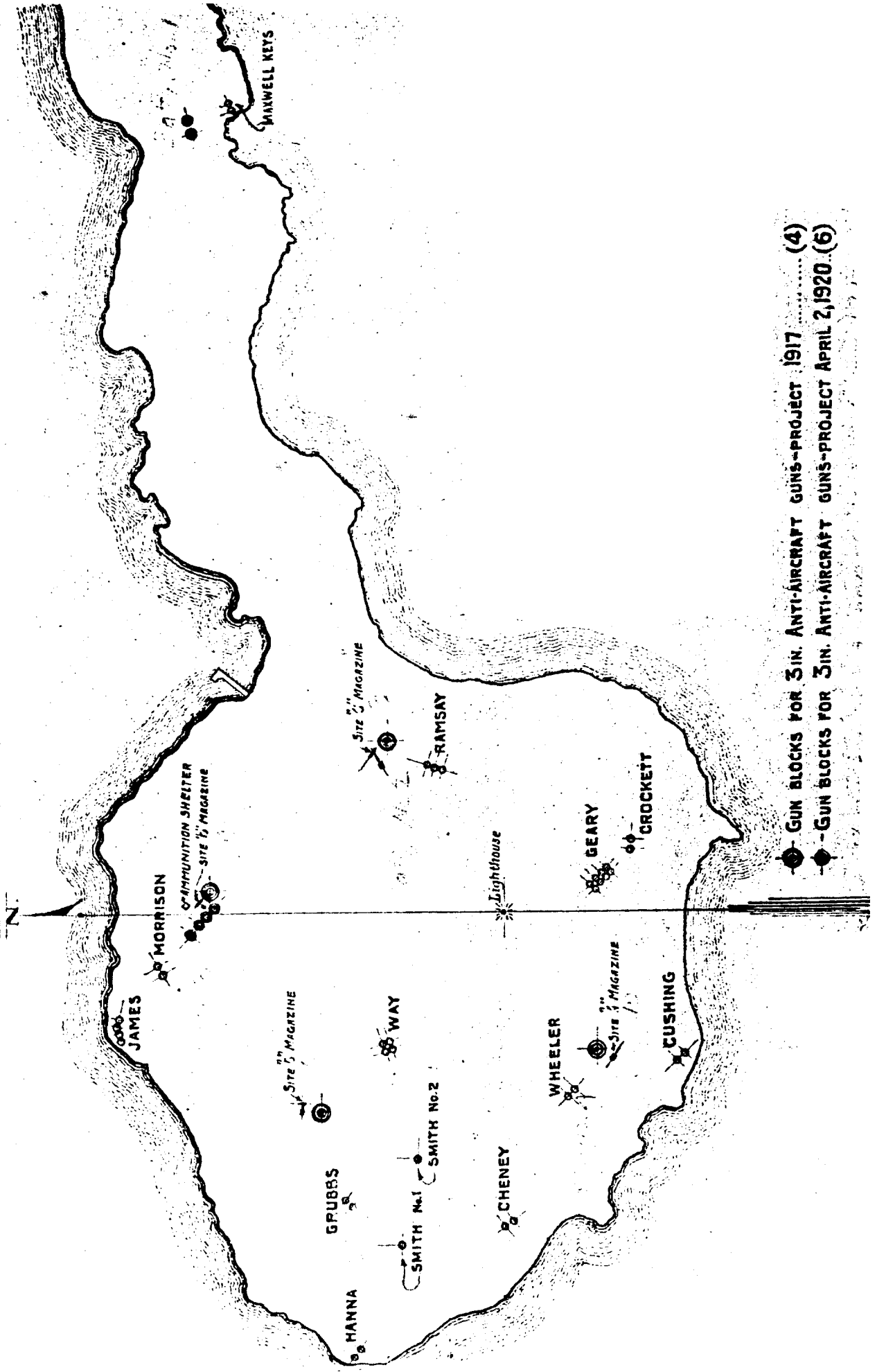
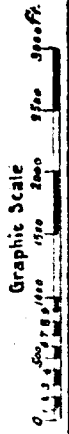


**STATE OF COMPLETED WORKS-SEACOAST FORTIFICATIONS
BATTERY PLAN**

Form 7 Corrected to Sep. 15, 1925

**COAST DEFENSES OF MANILA & SUBURBS
FORT MILLS
BATTERY 3 IN. ANTI-AIRCRAFT GUNS
No. OF GUNS 10 CALIBER 3 IN. CARRIAGE BARBETTE**

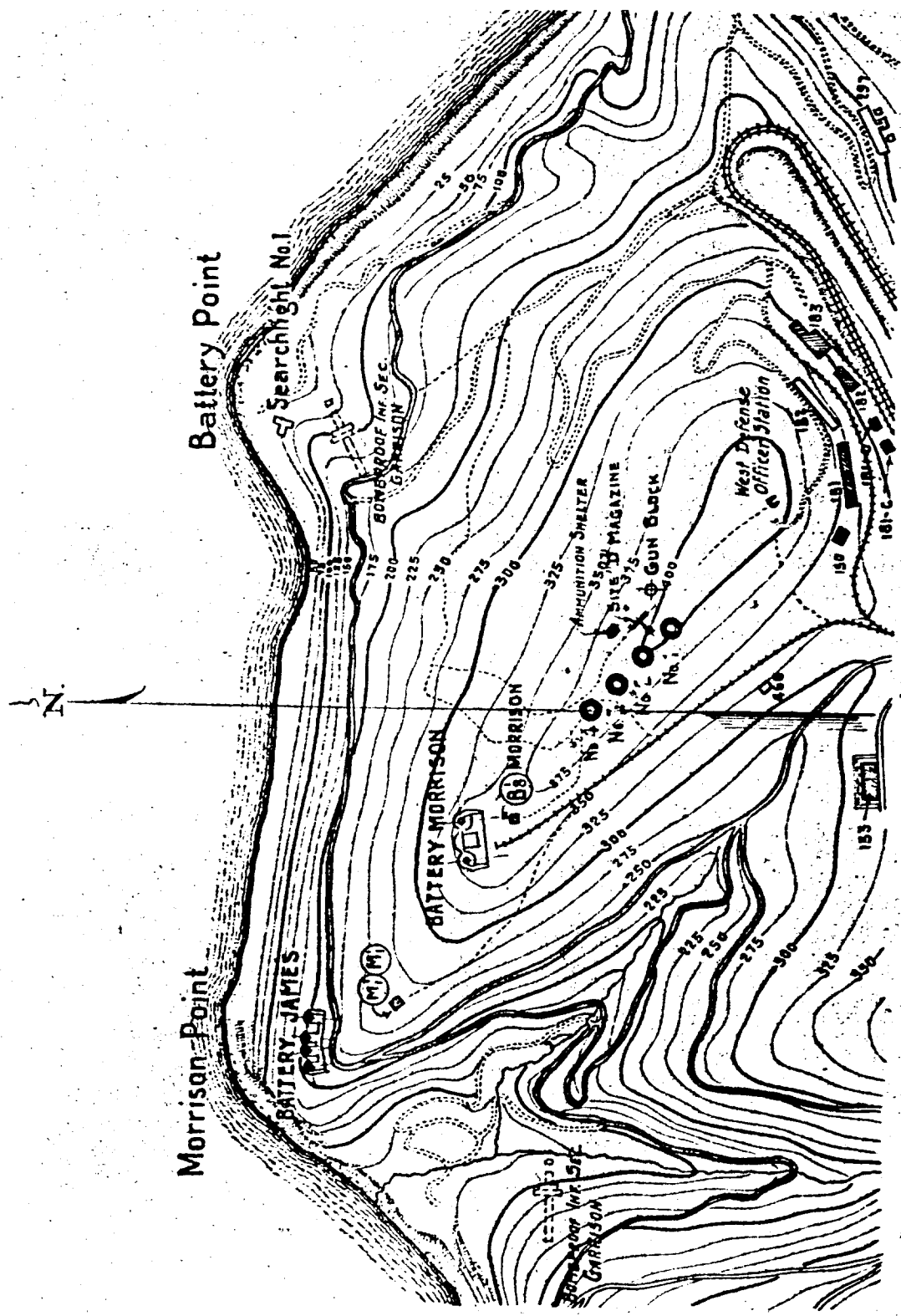


REPORT OF COMPLETED WORKS - SEACOAST FORTIFICATION!
(BATTERY PLAN)

COAST DEFENSES OF MANILA & SUBIC BAYS
FORT MILLS (MORRISON HILL)
BATTERY 3in. ANTI-AIRCRAFT GUNS
No. OF GUNS 4 CALIBER 3in. CARRIAGE BARBETTE

Form 7 Corrected to Sep. 15, 1925

Graphic Scale
0 100 200 300 400 500 600 700 800 900 1000 ft



● = GUN BLOCKS FOR 3in. ANTI-AIRCRAFT GUNS - PROJECT APRIL 2, 1920
○ = GUNS MOUNTED AT BLOCKS NOS. 2 AND 3

REPORT ON OCCUPATIONAL WORKS - SUBIC BAY (Luzon, P.I.)

COAST DEFENSES OF MANILA AND SUBIC BAYS.

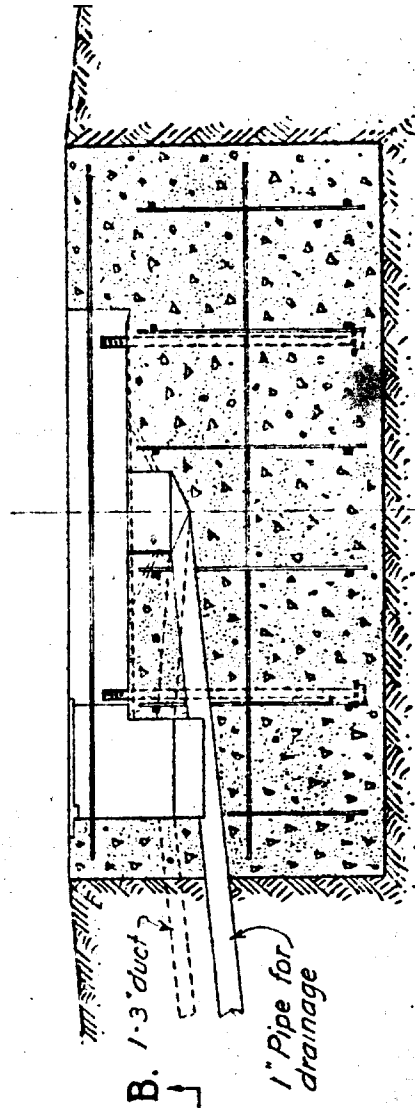
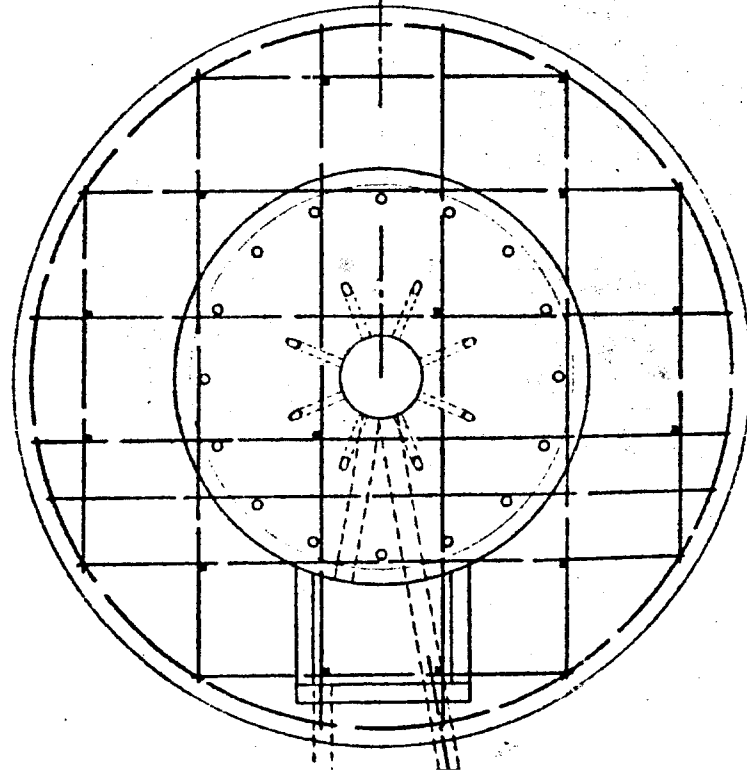
FOUR Mills

No. 1 - ENGINE *A.C. Gun Blocks (Tail of Island)*

No. of GUNS 2

Caliber 5 in. Carriage Ped.

Fig. 7. Corrected to March 30, 1921.



SECTION A.B.

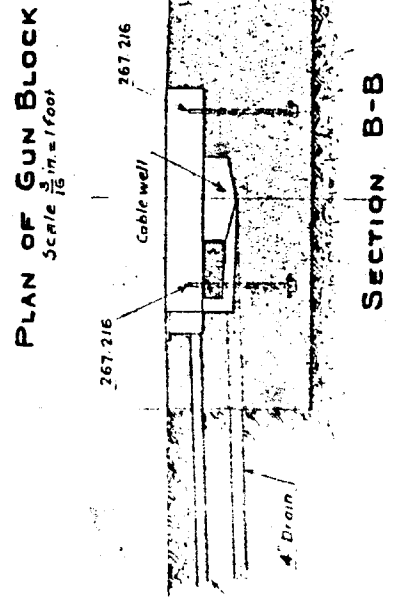
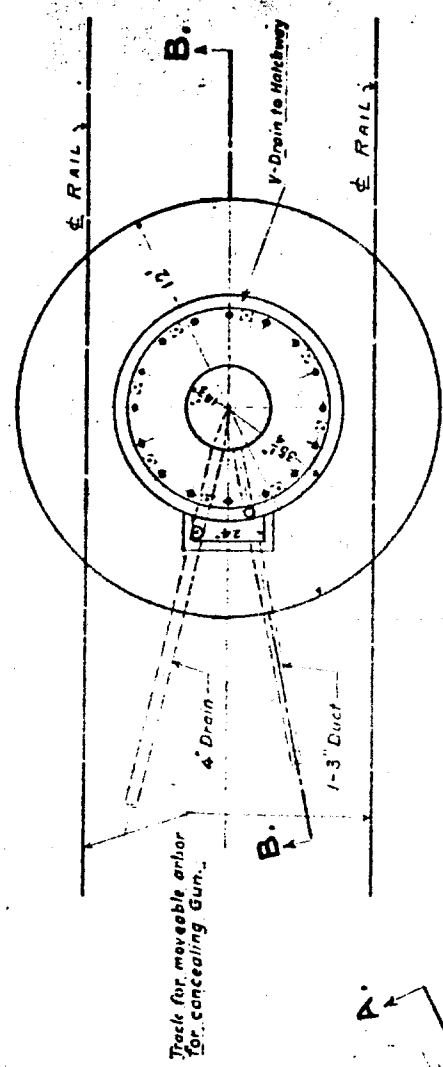
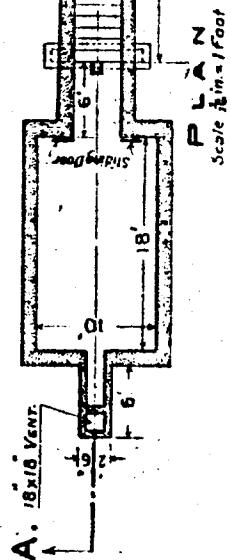
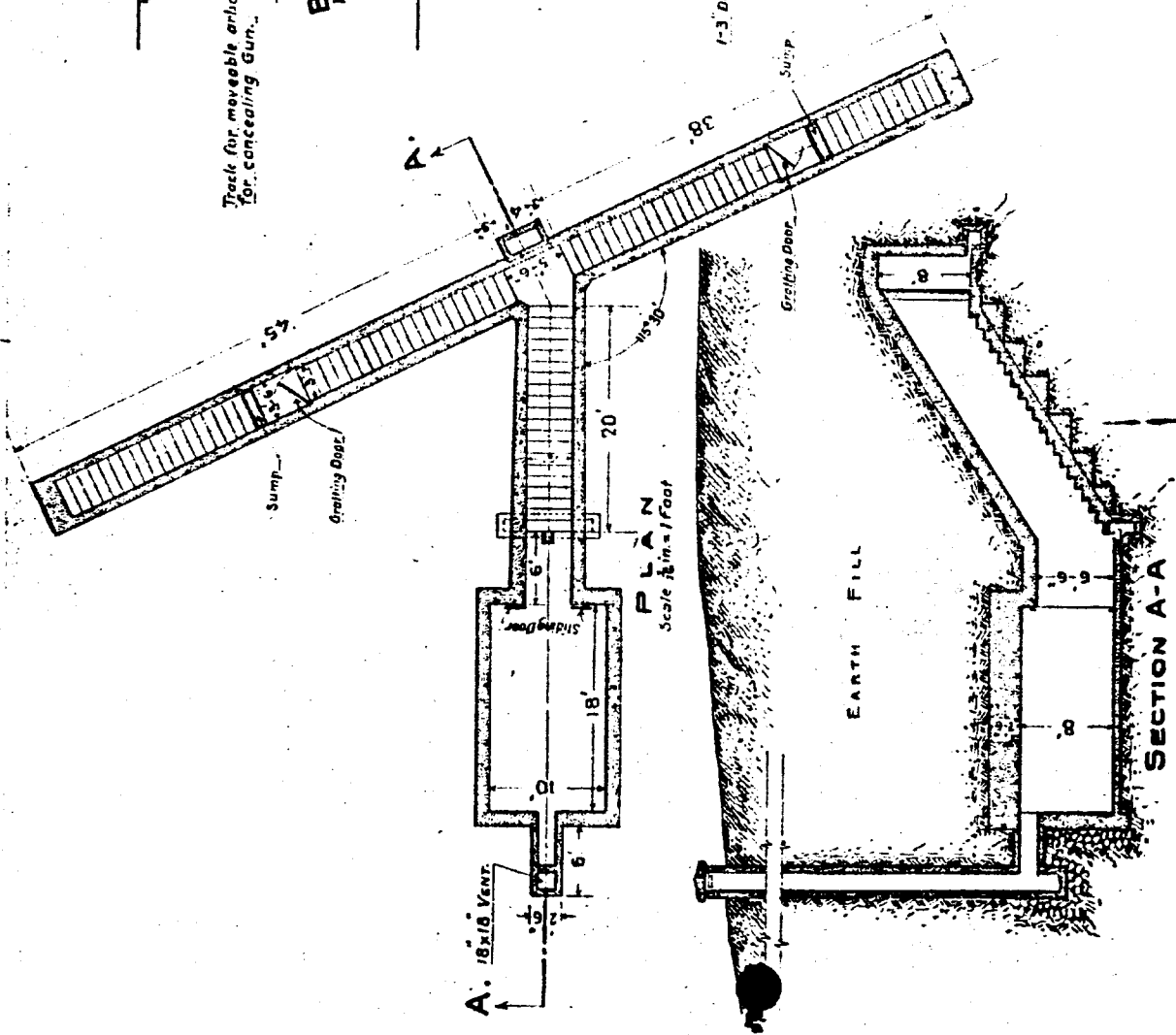
PLAN

**PORT OF COMPLETED WORKS - SEACOAST FORTIFICATIONS
(Battery Plan)**

CORRECTED TO JANUARY 1, 1920.

FORM 7.

COAST DEFENSES OF MANILA AND SUBIC BAYS.
FORT MILLS.
BATTERY ANTI-AIRCRAFT (2) Site 3
No. of END 1 Caliber 3 in. Carriage AAC.

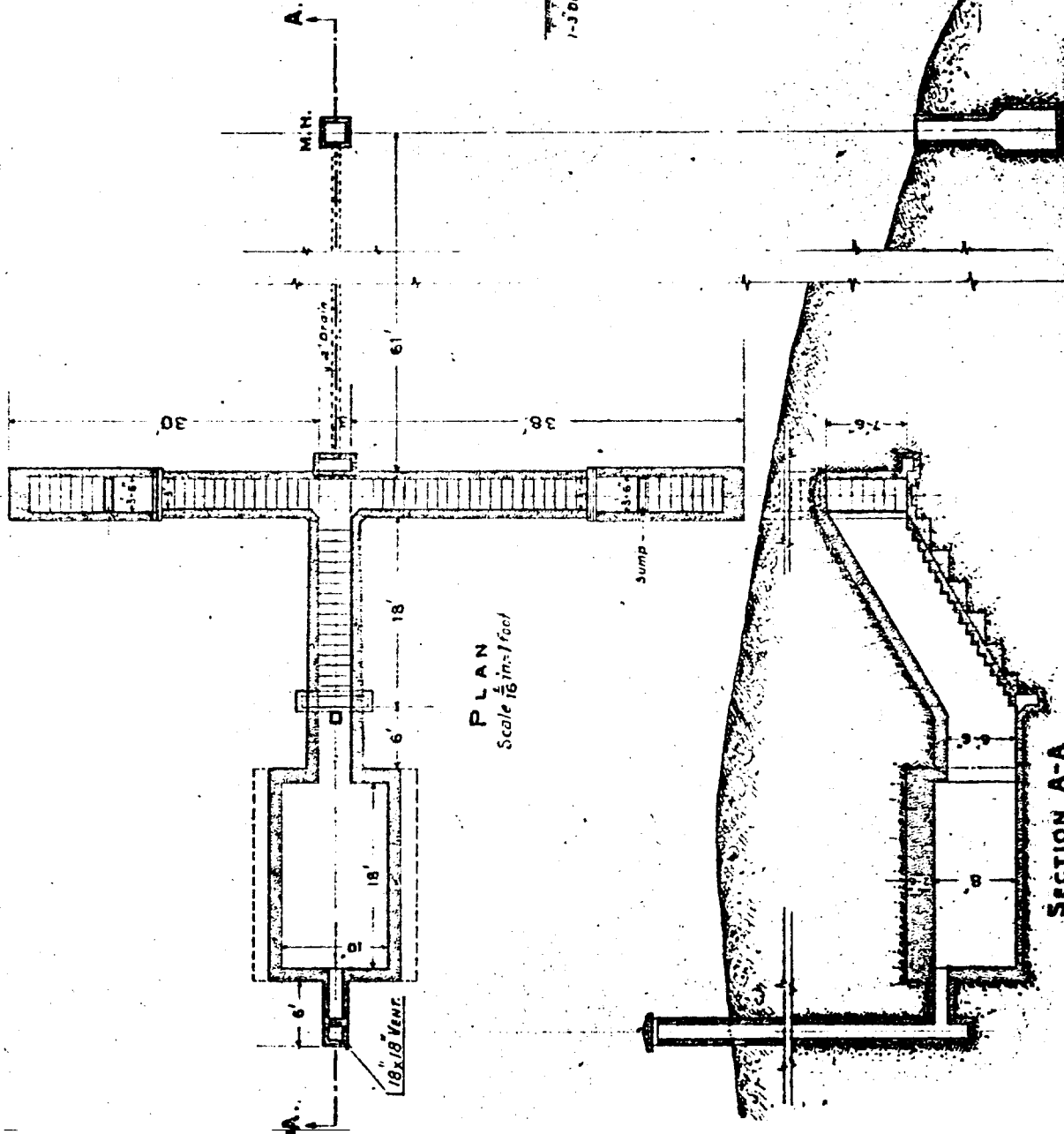


REPORT COMPLETED WORKS - SPACCAST FORTIFICATIONS
(Battery Plan)

CORRECTED TO JANUARY 1, 1920.

FORM 7.

COAST DEFENSES OF MANILA AND SUBIC BAYS.
FORT MILLS.
BATTERY ANTI-AIRCRAFT (7) *Circle 4*
No. of gun 1 Caliber 3 in. Carriage AAC.



PLAN
Scale $\frac{1}{16}$ in. = 1 foot

PLAN OF GUN BLOCK
Scale $\frac{1}{8}$ in. = 1 foot

SECTION B-B

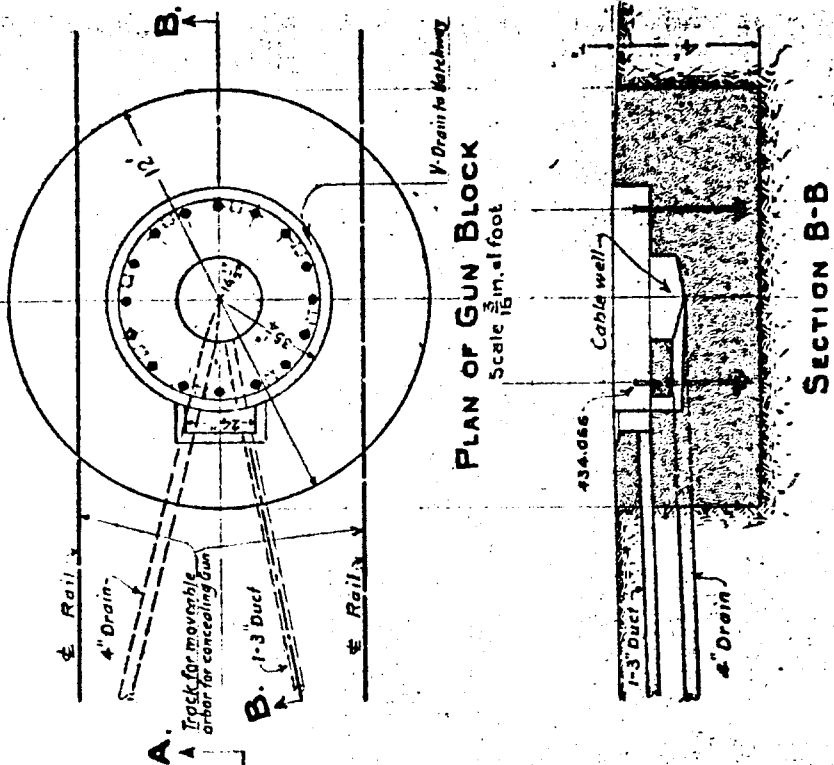
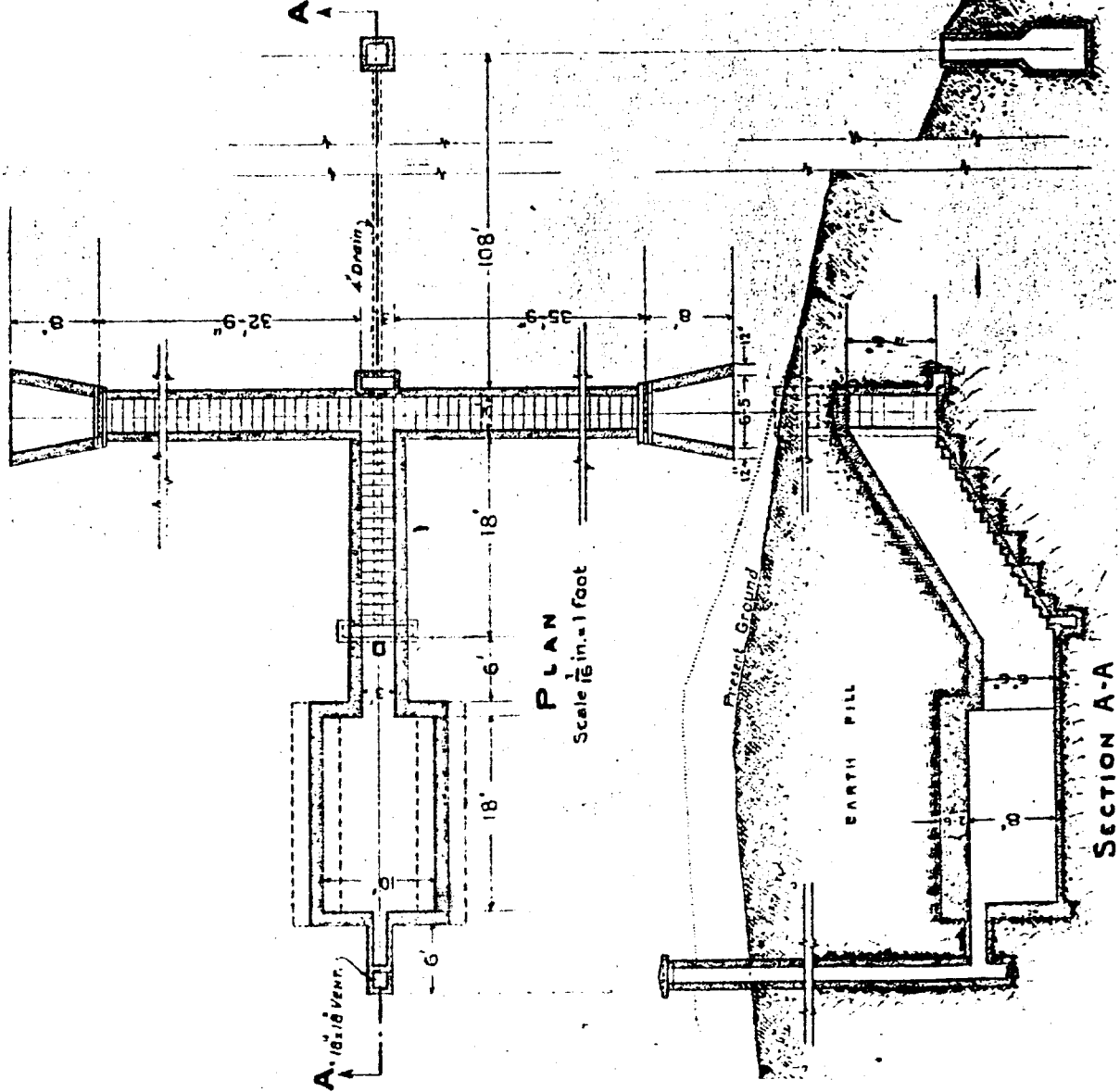
SECTION A-A

REPORT OF COMPLETED WORKS - SEACOAST FORTIFICATIONS
(Battery Plan)

COAST DEFENSES OF MANILA AND SURIG BAYS.
FORT MILLS.
BATTERY ANTI-AIRCRAFT (2) (Type S)
No. of gun 1 Caliber 3 in. Carriage AAC.

CORRECTED TO JANUARY 1, 1920.

FORM 7.



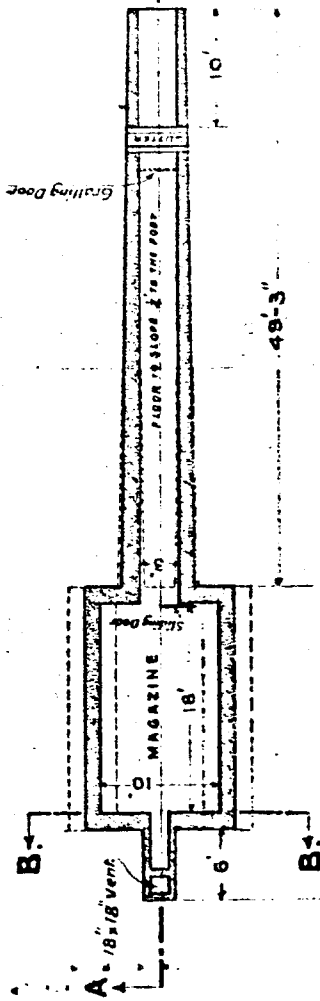
REPORT OF COMPLETED WORKS - SEACOAST FORTIFICATIONS
(Battery Plan)

CORRECTED TO JANUARY 1, 1920.

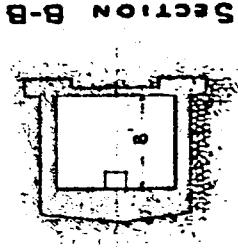
FORM 7.

COAST DEFENSES OF MANILA AND SUBIC BAYS.
FORT MILLS.
BATTERY ANTI-AIRCRAFT (A) Site 10
No. of gun 1 Caliber 3 in. Carriage AAC.

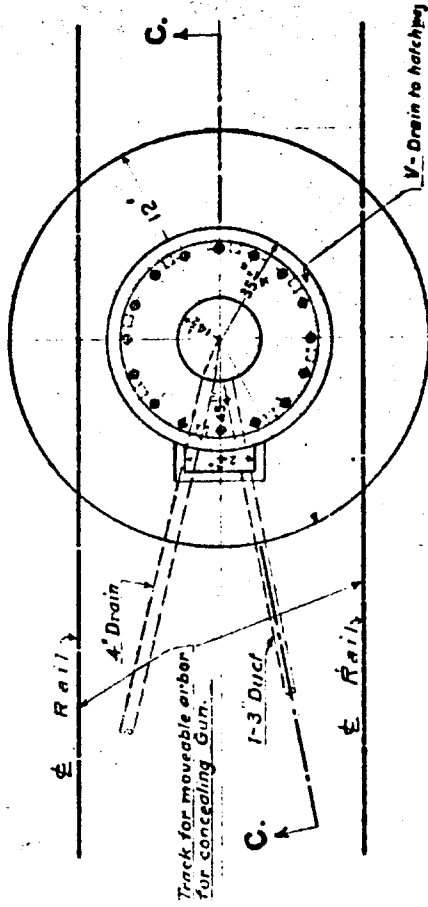
4977



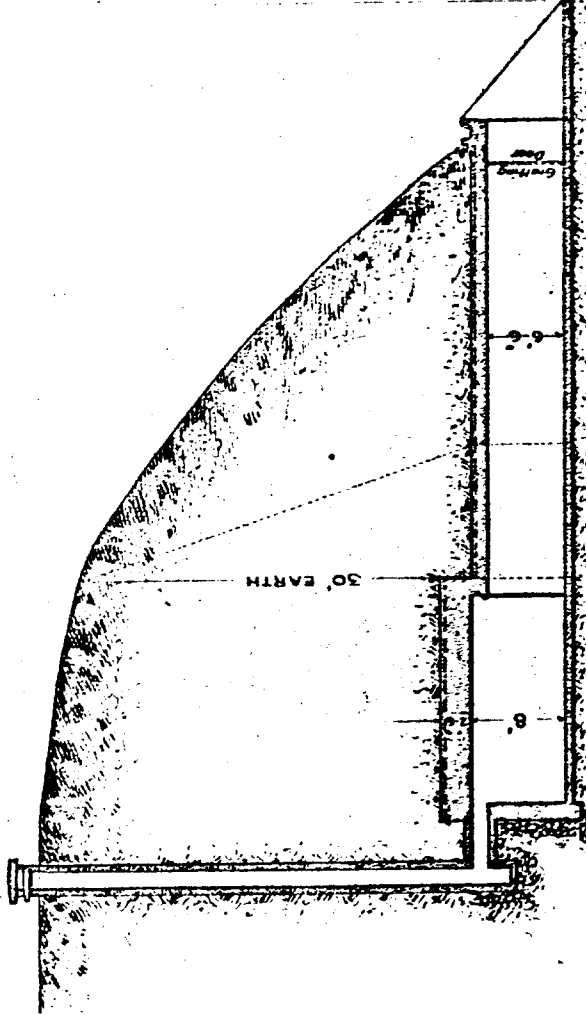
PLAN
Scale $\frac{1}{8}$ in. = 1 foot



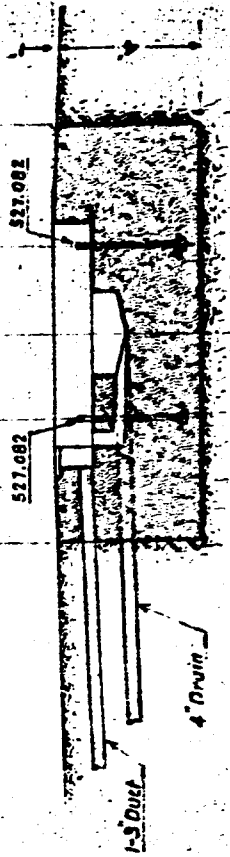
SECTION B-B



PLAN OF GUN BLOCK
Scale $\frac{3}{16}$ in. = 1 foot



SECTION A-A



SECTION C-C